

# ENERGIZER EN92 Industrial

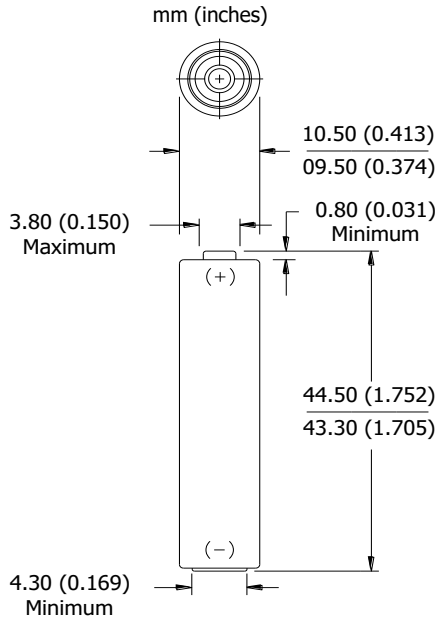
AAA



## General Information

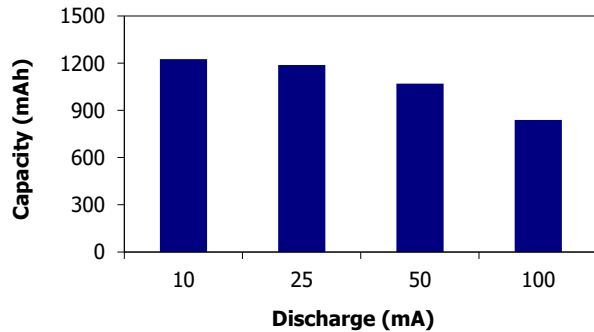
**Classification:** Alkaline  
**Chemical System:** Zinc-Manganese Dioxide (Zn/MnO<sub>2</sub>)  
 No added mercury or cadmium  
**Designation:** ANSI-24A, IEC-LR03  
**Nominal Voltage:** 1.5 volts  
**Operating Temp:** -18°C to 55°C (0°F to 130°F)  
**Typical Weight:** 11.5 grams  
**Typical Volume:** 3.8 cubic centimeters  
**Shelf Life:** 10 years at 21°C  
**Terminal:** Flat Contact

## Industry Standard Dimensions

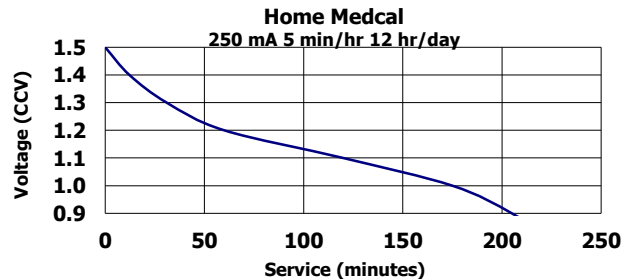
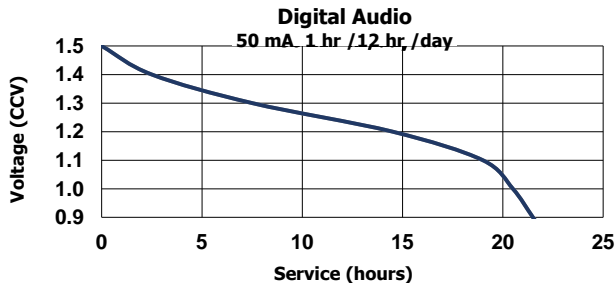
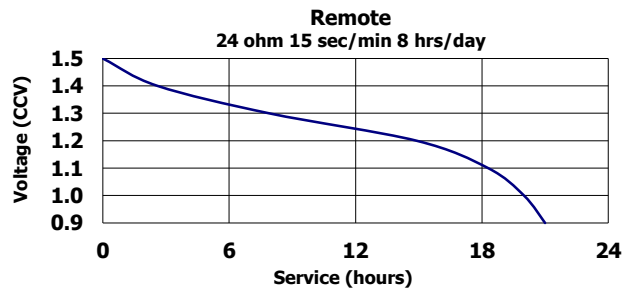
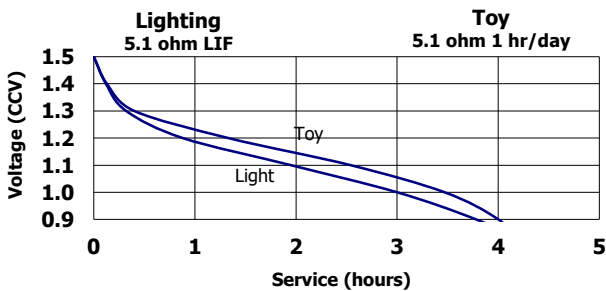


## Milliamp-Hours Capacity

Continuous discharge to 0.8 volts at 21°C



## Industry Standard Tests (21°C)



### Important Notice

This data sheet contains typical information specific to products manufactured at the time of its publication.  
**Contents herein do not constitute a warranty and are for reference only.**